

Product: RECEPTION AND SPEAKER TABLE

Represents an area dedicated to reception. *Loop-In* is characterized by two-tone structural elegance and front panel separating visitors and receptionist.

With adhesive graphics applied to the panel, and the careful use of materials, the reception area is able to communicate a personalized corporate identity.



TECHNICAL FEATURES

Reception and speaker desk tops: the tops are made in 22 mm (7/8") chipboard with anti-scratch and anti-reflect surfaces; tops are edged in 2,5 mm thick PVC with radius on all edges. The tops are available in Melamine, Veneer, Laminate or Time finish.

Legs: legs are made of chipboard panels available in Melamine, Veneer and Laminate.

Available in the following compositions:

- Legs and top both in Melamine / Laminate / Veneer.
- Legs in Veneer + Top in Time.
- Legs in Veneer + Top in Laminate.

Modesty Panel: modesty panel is made of chipboard panels and is available in Melamine, Laminate or Time finish.

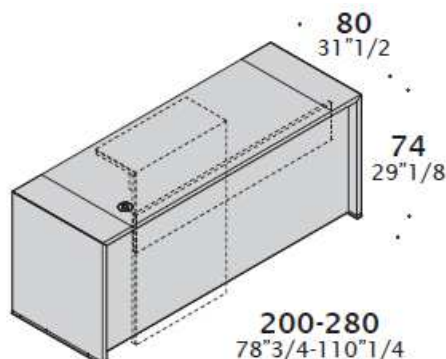
Front panel for reception: structure made of chipboard panels available in Sablè lacquered or Laminate finish. The front panel can be positioned either on the right or the left side of the reception desk, the cable outlet will be positioned on the same side as the front panel.

Front panel for speaker desk: realized in varnished metal.

DIMENSIONS

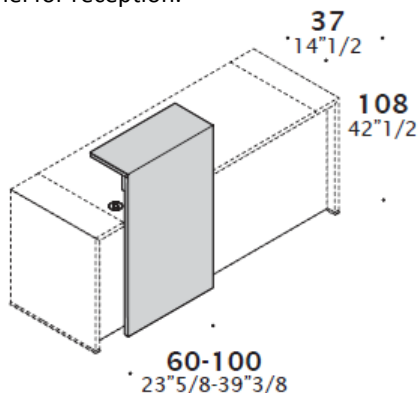
Reception.

Also available with Modesty panel in Time.

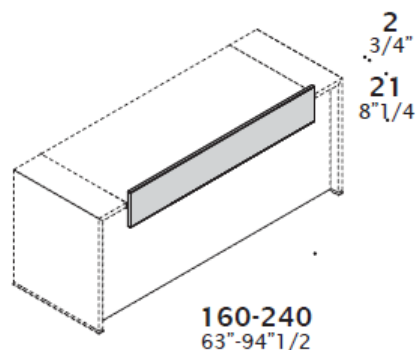


ACCESSORIES

Front panel for reception.



Front panel for speaker table.



FINISHES

Tops:

Melamine: UE White, Silver, Titanio, Delavè, Comfort, White Snow, Magnolia, Oak 2017, Eucalyptus, White Colour Fir.

Veneer: Magnolia, Colour White Fir, Nuvola stained Oak, Natural Oak 2016, American Walnut, Eucalyptus, Wengè, Zebrano Brown, Ebano.

Laminate: White Snow, Oak, White Fenix.

Time.

Legs:

Melamine: see reception tops finishes.

Laminate: see reception tops finishes.

Veneer: see reception tops finishes.

Modesty Panel:

Melamine: see reception tops finishes.

Laminate: see reception tops finishes.

Time 800 (with Melamine or Laminate legs and top), **Time 791** (with veneer legs + eco leather/laminate/veneer top).

Front panel for reception:

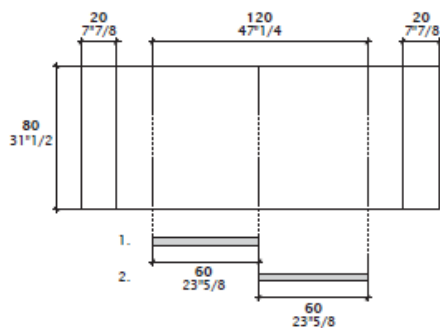
Sablè lacquered: UE White or Titanio.

Laminate: see reception tops finishes.

Front panel for speaker desk in varnished Metal: glossy or matt White Snow, glossy UE White, glossy Silver, matt Titanio, matt Green Black, matt Brown, matt Carbon Glacè, glossy Alfa Red.

HOW TO PLACE FRONT PANELS

Loop-in front panel can be customized in width, number of front panels and positions. There are use different front panels options W60 (23''5/8) or W100 (39''3/8).

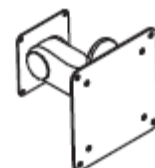


1. W60 (23''5/8) front panek in the left.
2. W60 (23''5/8) front panek in the right.

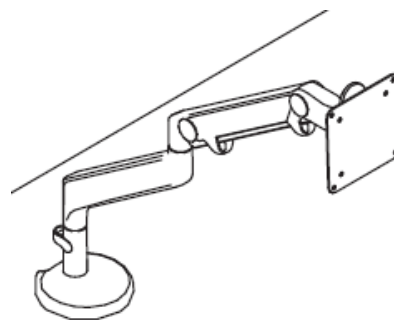
ACCESSORIES



Monitor bracket.

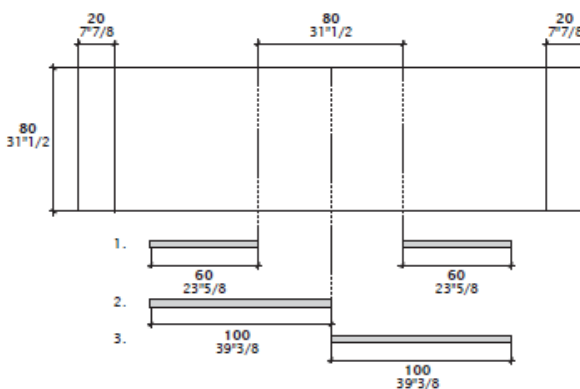
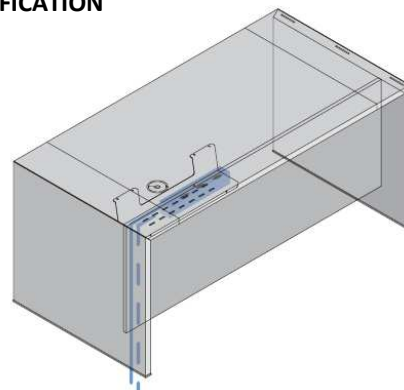


Monitor holder.



Monitor holder.

ELECTRIFICATION



1. W60 (23''5/8) front panel on the left or on the right, or in both positions.
2. W100 (39''3/8) front panel on the left.
3. W100 (39''3/8) front panel on the right.